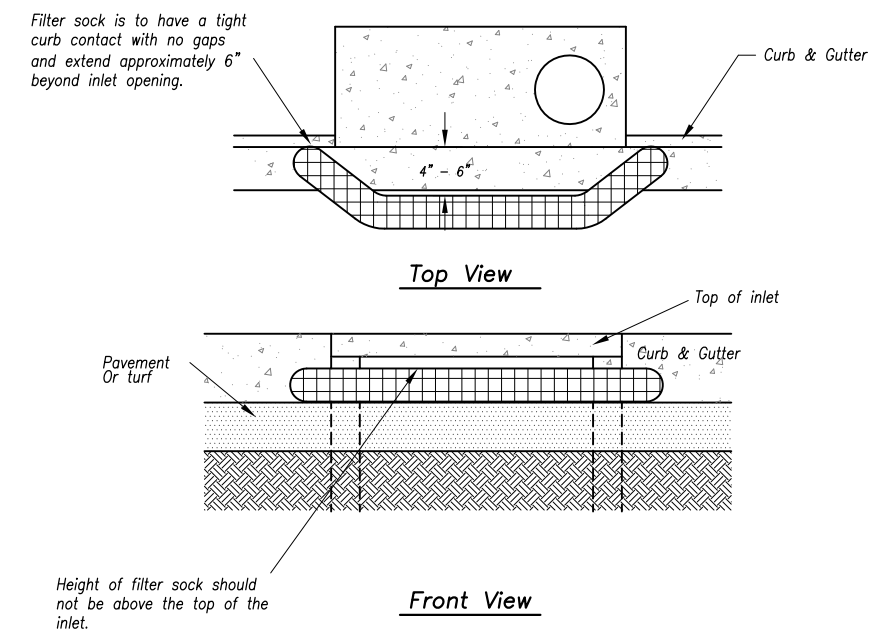


CONDITION A
Open Box and Prior to Pouring Curb and Inlet Throat



Sump Inlet Sediment Filter

CONDITION B
After Pouring Curb and Inlet Throat

Notes:

1. Overland Park Municipal Code (OPMC) and Overland Park Design and Construction Standards Manual (OPDCSM) are incorporated, except as otherwise noted.
2. Immediately following inlet construction and prior to construction of curb and inlet throat, protect inlet opening by installing 2" X 10" (min.) board wrapped in silt fence. Structures shall have excavated storage area on all four sides to allow settling of sediment (Condition A).
3. When inlet is completed and curb poured, filter socks or approved equal should be used (Condition B). Straw wattles are not approved for curb inlet use.
4. Contractor to field verify ponding water shall not create a traffic hazard.

Maintenance:

Remove deposited sediment from excavated storage areas when available storage has been reduced by 20%.
Remove deposited sediment from filter socks or similar when any accumulation of sediment is visible.
Repair or replace as necessary to maintain function and integrity of installation.

Year 2018 Edition

REVISIONS:	
Dec. 2011	Maintenance Statement;
RELATED ORDINANCES:	
OPMC Title 15	

OVERLAND PARK
KANSAS
ABOVE AND BEYOND. BY DESIGN.

DEPARTMENT OF PUBLIC WORKS
STANDARD DETAILS
TEMPORARY SEDIMENT BARRIER - CURB INLET

DATE: 11/01/05 SHEET: 37