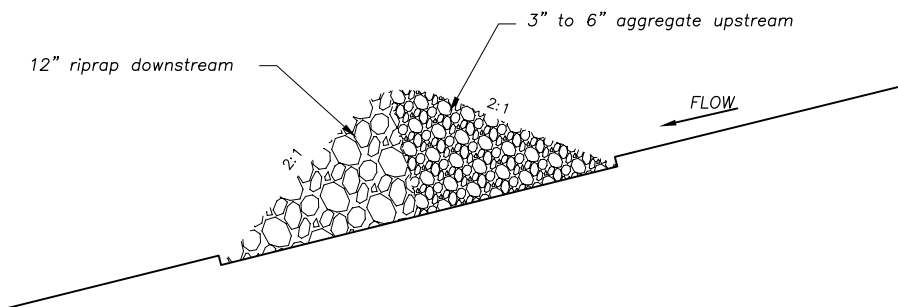


Type I
(2 Acres or less of Drainage Area)
Not to Scale



Type II
(2-10 Acres of Drainage Area)
Not to Scale

ROCK DITCH CHECK

Temporary Rock Ditch Check Spacing

Ditch Centerline Slope (%)	Spacing Interval (Feet)
5.0	60
6.0	50
7.0	43
8.0	36
9.0	33
10.0	29

Note: Use this spacing only for Rock Ditch Checks.

Temporary Ditch Check Spacing

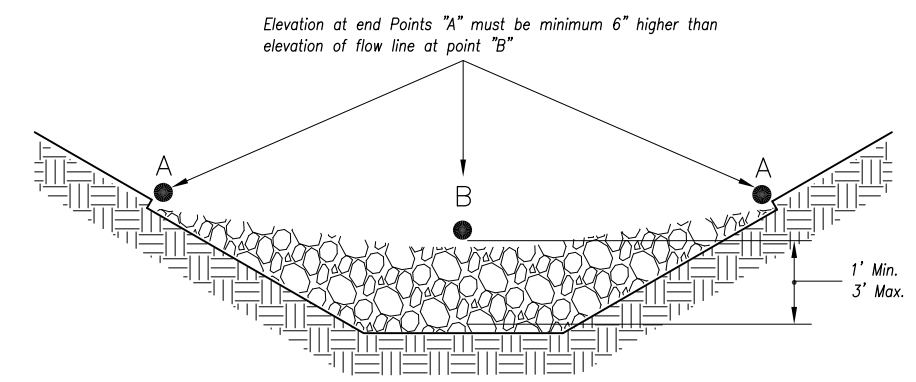
Ditch Centerline Slope (%)	Spacing Interval (Feet)
1.0	200
2.0	100
3.0	65
4.0	50
5.0	40
6.0	33

Note: Use this spacing for all except Rock Ditch Checks.

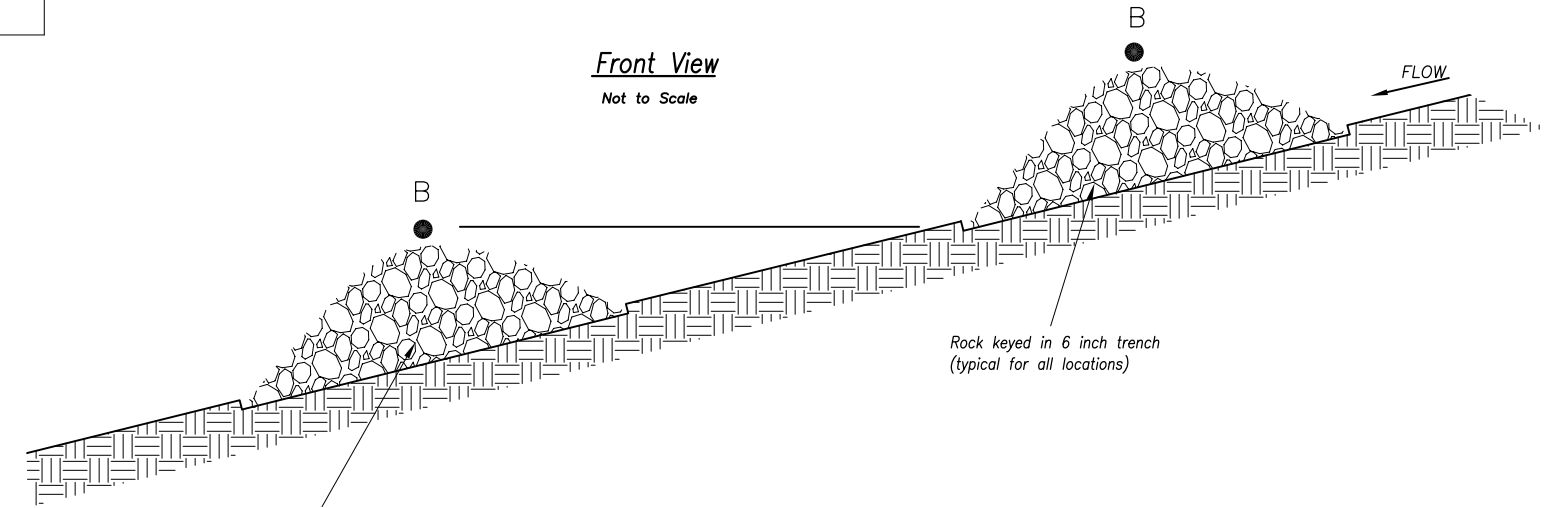
ALTERNATIVE DITCH CHECK:

1. Synthetic Sediment Barrier (*)
2. Biodegradable Log (*)

* — Install per manufacturer's instructions.



Front View
Not to Scale



Spacing Between Check Dams (all types)

Not to Scale

Notes:

1. Overland Park Municipal Code (OPMC) and Overland Park Design and Construction Standards Manual (OPDCSM) are incorporated, except as otherwise noted.
2. Rock check dams shall be used only for drainage areas less than 10 acres unless approved by the City.
3. Use rock checks only in situations where the ditch slope exceeds 6%.

Maintenance:

Remove and dispose of sediment deposits when the deposit approaches 1/2 the height of the ditch check. Replace and reshape as necessary to maintain function and integrity of installation.

REVISIONS:		 ABOVE AND BEYOND. BY DESIGN.
Dec. 2011	Maintenance Statement;	
RELATED ORDINANCES:		DEPARTMENT OF PUBLIC WORKS STANDARD DETAILS TEMPORARY DITCH CHECK
OPMC Title 15		
DATE: 11/01/05	SHEET: 44	Year 2018 Edition