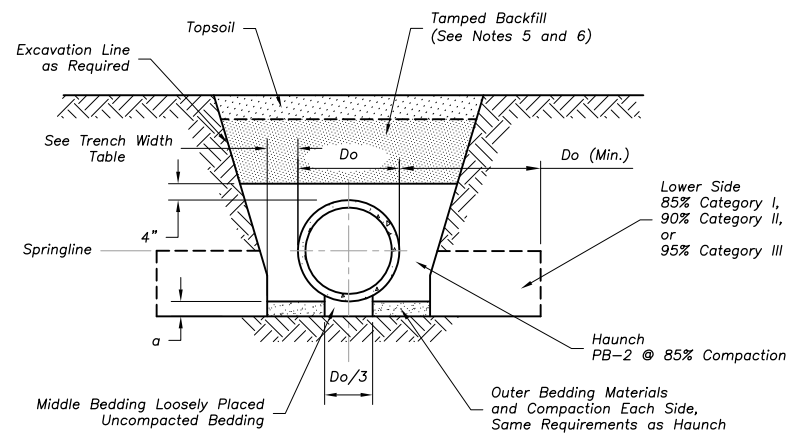


Trench Installation under Paved Surface



Trench Installation outside Paved Surface

RCP installation notes:

1. Overland Park Municipal Code (OPMC) and Overland Park Design and Construction Standards Manual (OPDCSM) are incorporated, except as otherwise noted.
2. Category I material shall be crushed stone or siliceous gravel meeting the requirements of Section 1107 of the Standard Specifications, Aggregate Designation PB-2.
3. Compaction and soil symbols – i.e. "95% Category I" – refers to Category I soil material with minimum standard Proctor compaction of 95%.
4. Removable Flowable Fill is required as shown on the Trench Installation detail in any paved portion of the right of way, including the area within existing or future public street pavement, under existing or future curb and gutter, median, asphalt path, parking lots, concrete sidewalk. Also under existing concrete, asphalt, or gravel driveway approach and under any future driveway approach, when the location is known. Flowable Fill shall be considered subsidiary to the pipe installation.
5. Tamped backfill shall be used at all other locations unless otherwise noted. Tamped backfill shall be finely divided job excavated material free from debris, organic material and stones, compacted to 95% maximum density as determined by AASHTO STANDARD, Method T-99.
6. Granular fill may be substituted for all or part of tamped backfill. Granular fill shall be AB-3 OP Modified, as specified in the Standard Specifications, compacted to a minimum of 95% of optimum density, within 0 to minus 2 percent of optimum moisture placed up to an elevation 6" below surface. Topsoil shall be used in the top 6".
7. When the existing grade is not at least 18" above the proposed top of pipe profile, install compacted fill (95% Std. Proctor) to 18" above top of pipe prior to excavation for storm sewer installation, or as approved by the City Engineer.
8. Soil in outer bedding and haunch zones shall be compacted to at least the same compaction as specified for the majority of soil in the backfill zone.
9. The trench width shall be wider than shown if required for adequate space to attain the specified compaction in the haunch and bedding zones.
10. For trench walls that are within 10 degrees of vertical, the compaction or firmness of the soil in the trench walls and lower side zone need not be considered.
11. For trench walls with greater than 10 degree slopes that consist of embankment, the lower side shall be compacted to at least the same compaction as specified for the soil in the overfill zone.
12. See street repair details for additional backfill requirements under streets roadways, curbs, sidewalks and other structures in Right-of-Way.

TRENCH WIDTH TABLE

Pipe Size (inches)	Minimum Side Wall Clearance (inches)
12 - 18	6
21	6.5
24	7
27	8
30	8.5
33	9
36	10
42	11
48	12.5
54	13.5
60	15
66	15
72	15.5
78	15.5
84	16
90	16.5
96	17
102	17.5
108	18

TABLE OF FILL DEPTHS BELOW PIPE

D	"a" min. in Soil	"a" min. in Rock
60" & smaller	3"	6"
66" & larger	6"	12"

RCP INSTALLATION

No Scale

Year 2018 Edition

REVISIONS:	
02/15/00	RCP Installation Types I, II, III;
05/20/03	RCP Installation Notes;
Feb. 2008	Aggregate Designation
RELATED ORDINANCES:	
OPMC Title 15	



DEPARTMENT OF PUBLIC WORKS
STANDARD DETAILS

RCP INSTALLATION DETAIL