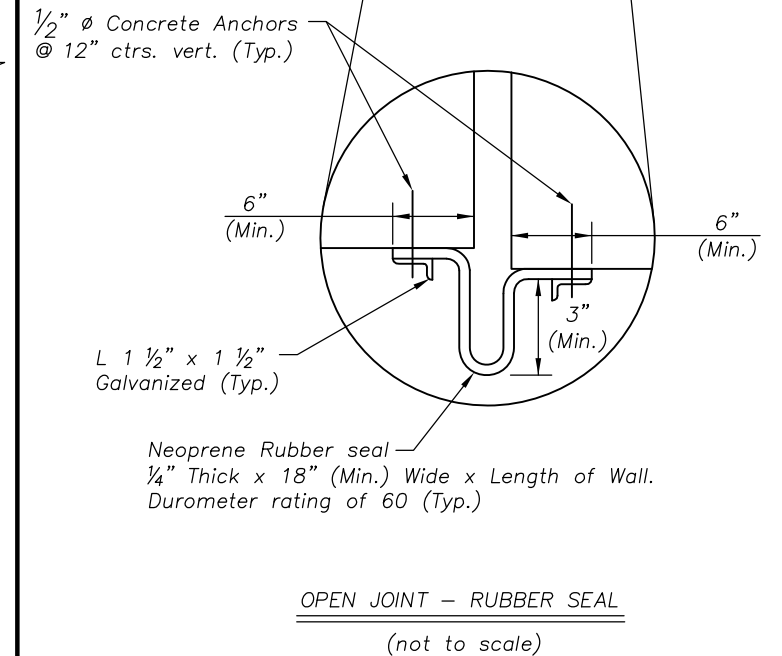
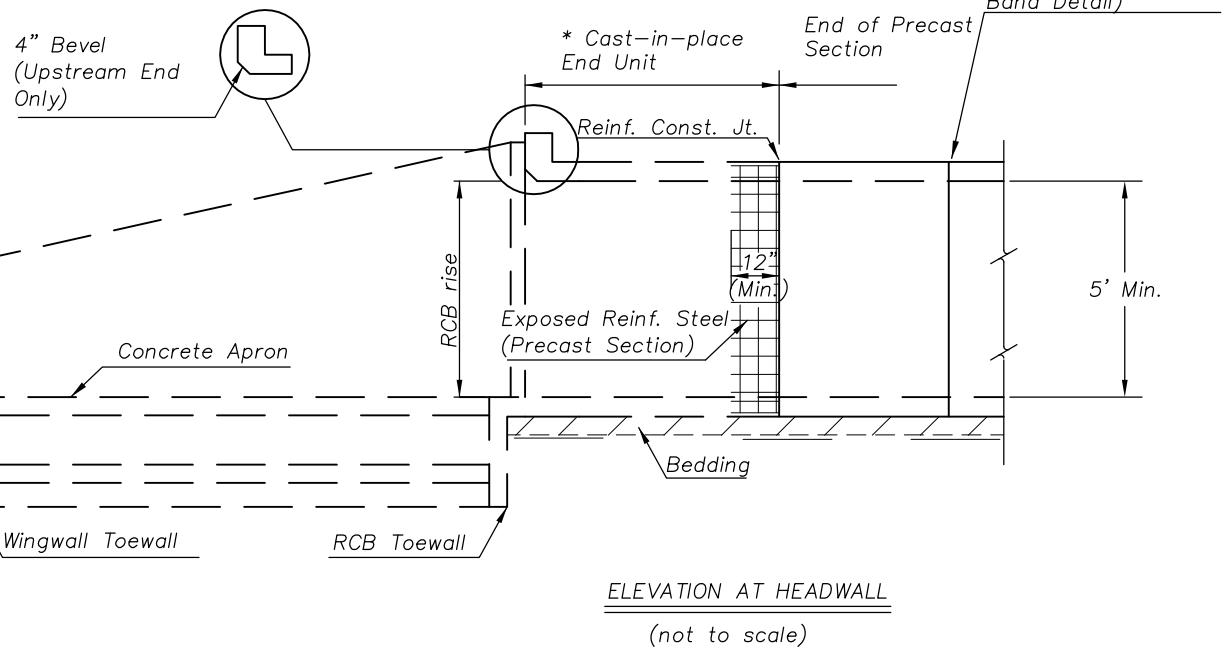
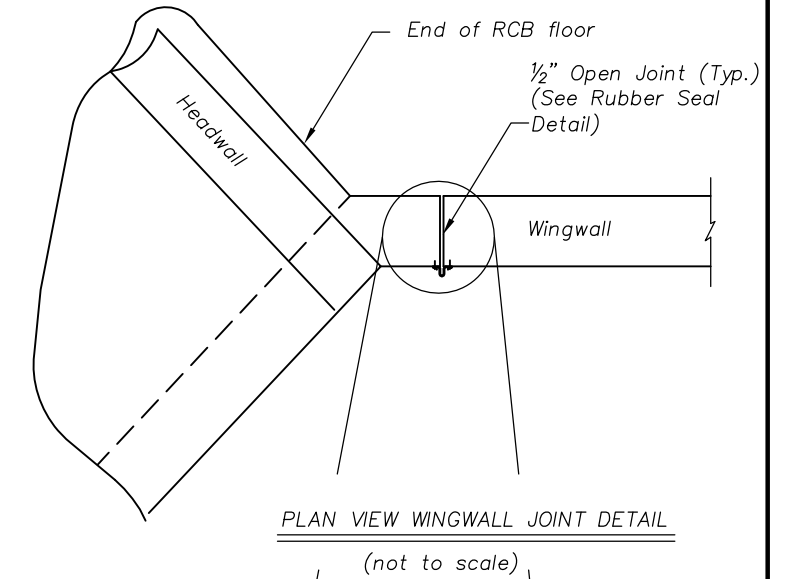
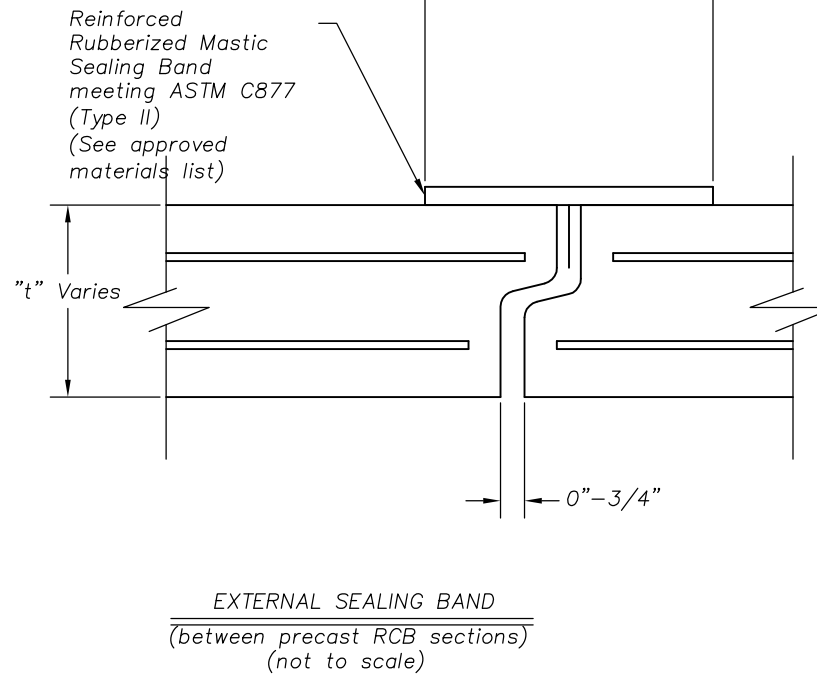


Minimum Band Width  
 9" for RCB opening < 36 sq ft  
 11" for RCB opening > 36 sq ft < 64 sq ft  
 13" for RCB opening > 64 sq ft



**NOTE TO DESIGN PROFESSIONAL:**  
 This supplemental detail has been prepared by the City of Overland Park Planning Department solely for the convenience of registered design professionals. The City disclaims all warranties and representations of any kind, expressed or implied, with regard to this supplemental detail, including but not limited to, any warranty related to the fitness for a particular purpose.  
 The design professional assumes all responsibility for verification that this supplemental design detail is suitable for use on any specific construction plan. By incorporation of this supplemental design detail into a construction plan, the design professional certifies that they have determined that this supplemental design detail is suitable for use on their specific construction plan.

\* Minimum barrel length of cast-in-place end unit shall equal the RCB rise or 8'-0", whichever is less. This length can be used when the joint between the cast-in-place end unit and the precast section is reinforced as shown.

**PRECAST RCB / Poured-in-Place Wingwall GUIDANCE DETAIL**

- A. END TREATMENT**
1. End of RCB shall be cast-in-place.
  2. End of precast section shall have 12-inches minimum of exposed reinforcement steel. Lap steel may need to be longer as required by design engineer.
  3. Minimum barrel length of cast-in-place end unit shall equal the RCB rise or 8 feet, whichever is less.
  4. Cast-in-place unit shall include: extension of RCB, toewall, headwall (hubguard), transition to wingwall geometry, and apron where required.
  5. Inside top face of RCB shall have a 4" bevel on the upstream end.
  6. Wingwalls shall be free standing and independent of the RCB.
  7. Wingwall drainage: Provide horizontal weepholes with geotextile fabric and granular material (or strip drain). Provide vertical drainage bed (or strip drain) behind wingwall/RCB interface tied to horizontal weephole drainage system.
  8. Provide handrail per Std. City detail.
  9. Concrete shall be an approved KCMMB 5K mix.

**NOTE:**

This detail is intended to show City of Overland Park requirements for connection of RCB sections to a cast in place wing wall on publicly maintained structures. It is not intended to illustrate all requirements for wing wall construction or RCB construction. Additional details/design are required for reinforcing steel, bedding, handrails, scour protection, etc. See City of Overland Park Design and Construction Manual and KDOT Specifications for additional requirements.

Year 2013 Edition

REVISIONS:	
5/20/2011	
12/1/2012	
RELATED ORDINANCES:	<b>PLANNING DEPARTMENT          SUPPLEMENTAL DETAILS</b>
OPMC Title 15	
<b>RCB &amp; WING WALL MISCELLANEOUS DETAILS</b>	
DATE: 5/20/2011	SHEET: 8