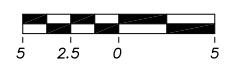
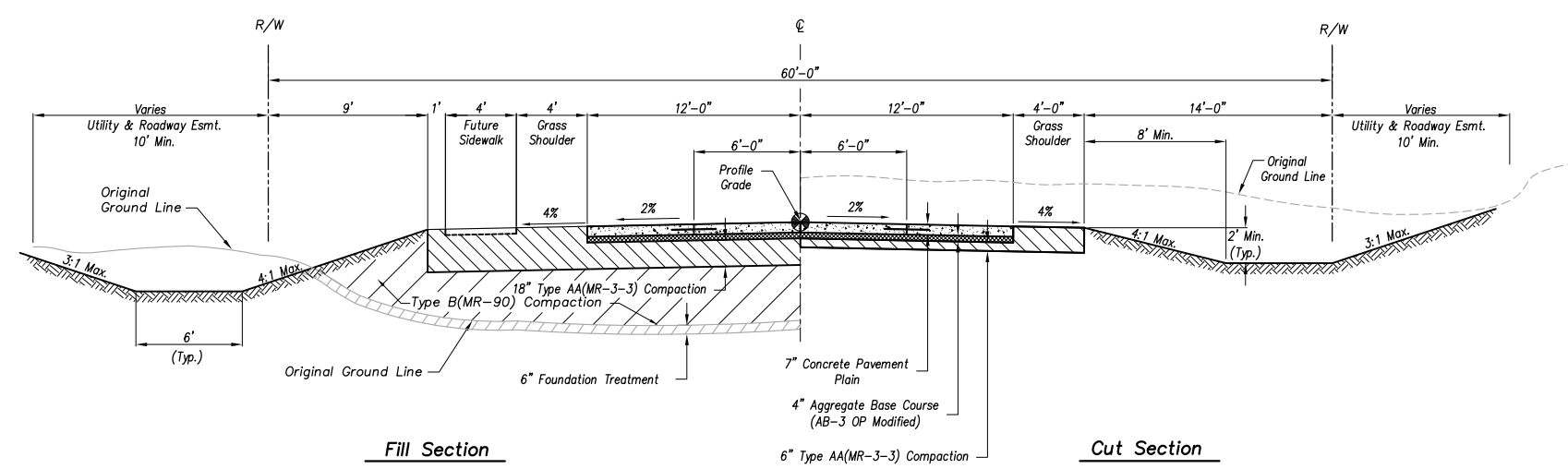


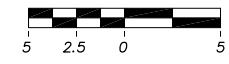
- Notes:**
1. The Overland Park Municipal Code (OPMC) and Overland Park Design and Construction Standards Manual (OPDCSM) are incorporated, except as otherwise noted.
  2. Sidewalk and Earthwork requirements shall be as specified in OPDCSM.



RE District Ditch Street Section – Collector Street



- Notes:**
1. The Overland Park Municipal Code (OPMC) and Overland Park Design and Construction Standards Manual (OPDCSM) are incorporated, except as otherwise noted.
  2. Sidewalk and Earthwork requirements shall be as specified in OPDCSM.



RE District Ditch Street Section – Residential Street

Year 2018 Edition

REVISIONS:	
RELATED ORDINANCES:	
OPMC Title 13	
OPMC Title 18	

**OVERLAND PARK**  
KANSAS  
ABOVE AND BEYOND. BY DESIGN.

DEPARTMENT OF PUBLIC WORKS  
STANDARD DETAILS

RE DISTRICT DITCH STREET SECTION  
(CONCRETE)