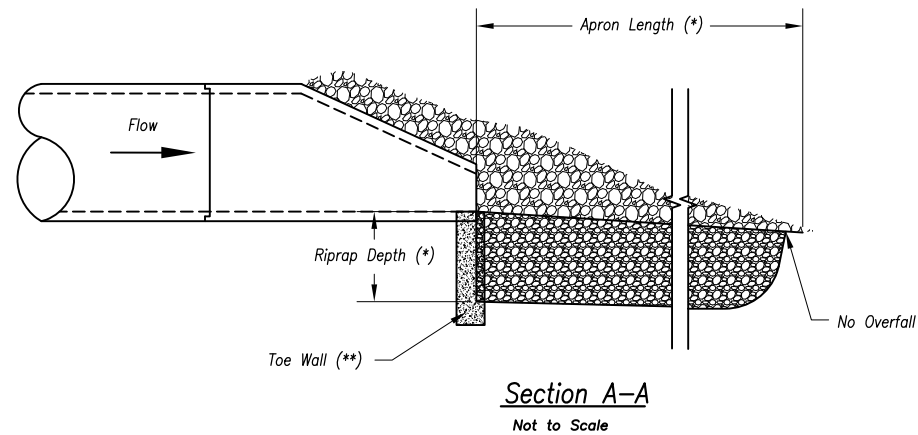
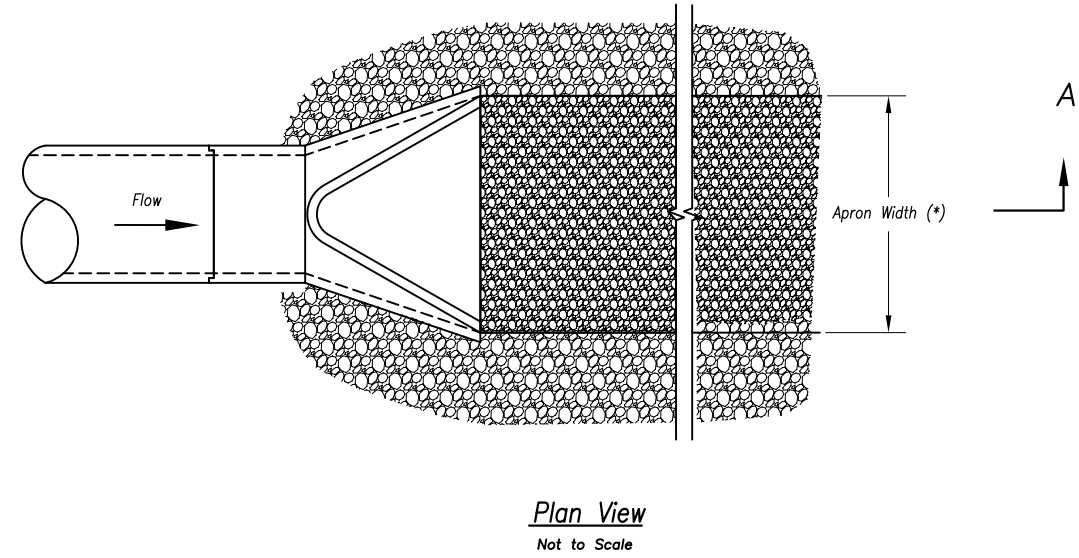


**OUTLET PROTECTION W/O END SECTION**  
(When Approved for Temporary Condition)



**OUTLET PROTECTION WITH END SECTION**

**Notes:**

1. Overland Park Municipal Code (OPMC) and Overland Park Design and Construction Standards Manual (OPDCSM) are incorporated, except as otherwise noted.
2. Rock all sides steeper than 3:1.
3. Stabilize all disturbed areas downstream of outlet.
4. Alternative permanent stabilization may be used with approval by City Engineer.
5. Install riprap so that it is no higher than flowline of pipe.

- \* - See plans for apron length, apron width, riprap sizing and riprap depth.
- \*\* - Refer to End Section Toe Wall detail.

REVISIONS:	
RELATED ORDINANCES:	
OPMC Title 15	
WEB SITE ADDRESS: <a href="http://www.opkansas.org/_bus/pre-construction_resources">http://www.opkansas.org/_bus/pre-construction_resources</a>	