

Figure 1

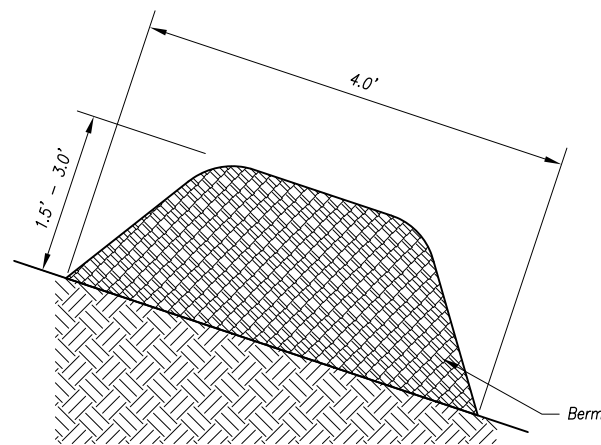


Figure 2

FILTER BERM

Notes:

1. Overland Park Municipal Code (OPMC) and Overland Park Design and Construction Standards Manual (OPDCSM) are incorporated, except as otherwise noted.
2. The sediment control berm shall be placed uncompacted in a windrow at locations shown on the plans or as directed by the engineer.
3. Parallel to the base of the slope, or around the perimeter of other affected areas, construct a 1 to 3 foot high by 2.5 to 3 foot wide berm (see Figure 1). For maximum water treatment ability or for steep slopes, construct a 1.5 to 3 foot high trapezoidal berm that is a minimum of 4 feet wide at the base (see Figure 2). In extreme conditions, or where specified by the engineer, a second berm shall be constructed at the top of the slope. Engineer will specify berm requirements.
4. If berm is to be left as permanent or part of the natural landscape, the compost berm may be seeded during application for permanent vegetation.
5. Do not use compost or wood mulch berms in any runoff channels or concentrated flow areas.
6. Wood mulch shall consist of tree and shrub debris resulting from clearing and grubbing and shall be ground by the mechanical means such as a chipper, hammermill, tub grinder or other approved method. Mulch sizing varies with a maximum width of 2" and a maximum length of 10".

Maintenance:

Berm shall be reshaped and material added as necessary to maintain function and dimensions. Breaches in the berm shall be repaired promptly.

REVISIONS:	
RELATED ORDINANCES:	DEPARTMENT OF PUBLIC WORKS STANDARD DETAILS
OPMC Title 15	FILTER BERM