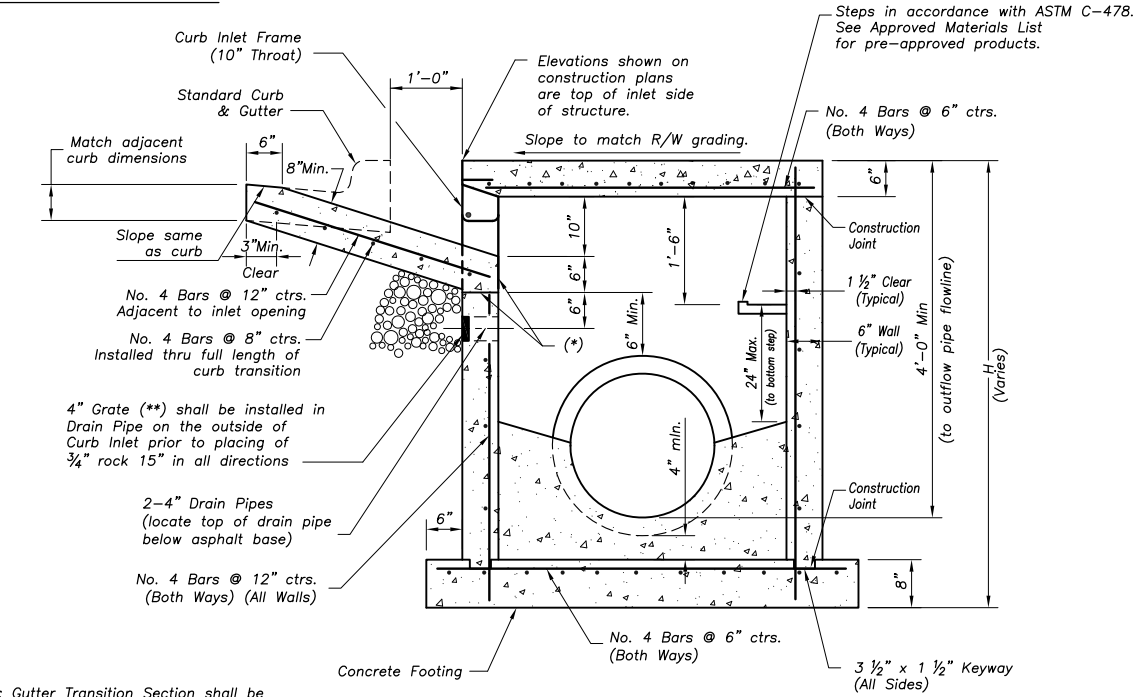


Plan
Not to Scale

Note:
Imprint to be 1/4" in depth stamped into inlet top when poured.

ENVIRONMENTAL STAMP DETAIL



Section A-A
Not to Scale

CURB INLET (10" THROAT)

- (*) - Curb & Gutter Transition Section shall be isolated from Curb Inlet at all points of contact. Isolation material shall be 30 lb. Roofing Felt or approved equal.
- (**) - the material of the grate shall match the material of the pipe and shall be as follows:
 - a) PVC: Pipe - 4" Schedule 40 PVC meeting ASTM D-1785'
Grate - 4" PVC Snap-in Drain - meets ASTM D-2665, with Stainless Steel (Type 304) Cover, mounted with two 18-8 Stainless Steel Screws; Maximum opening size 1/4".
 - b) HDPE: Pipe - 4" HDPE meeting AASHTO M252, Type S;
Grate - 4" HDPE - meets ASTM D-3350; Maximum opening size 1/4".

Curb Inlet Notes

General

1. Overland Park Municipal Code (OPMC) and Overland Park Design and Construction Standards Manual (OPDCSM) are incorporated, except as otherwise noted.
2. All storm sewer structures shall be pre-cast or poured in place. If pre-cast structures are used, the tops shall be poured in place and the wall steel shall be left exposed to a height 2" below the finish top elevation, or as directed by the City Engineer.
3. Pre-cast shop drawings are to be approved by the City Engineer for publicly financed or administered projects. Pre-cast shop drawings for privately financed projects are to be submitted to the Engineering Services Division of the Planning and Development Services Department.
4. Do not scale these drawings for dimensions or clearances. Any questions regarding dimensions shall be brought to the attention of the City Engineer prior to construction.
5. On-grade inlets shall conform to the street grade and sump inlets shall be level.
6. The first dimension listed in the construction notes is the "L" dimension. The second dimension is the "W" dimension. The concrete thickness and reinforcement shown is for boxes with ("L"+"H") and ("W"+"H") less than or equal to 20. For boxes with either of these calculations greater than 20, a special design is required.

Concrete

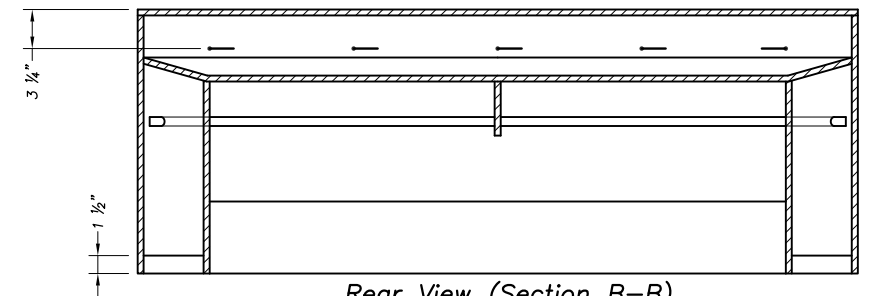
7. Concrete used in this work shall be KCMMB4K, as approved by the Kansas City Metropolitan Materials Board, and shall meet the requirements of the OPMC.
8. Inlet floors shall be shaped with non-reinforced concrete inverts to provide smooth flow.
9. Bevel all exposed edges with 3/4" triangular molding.

Reinforcing Steel

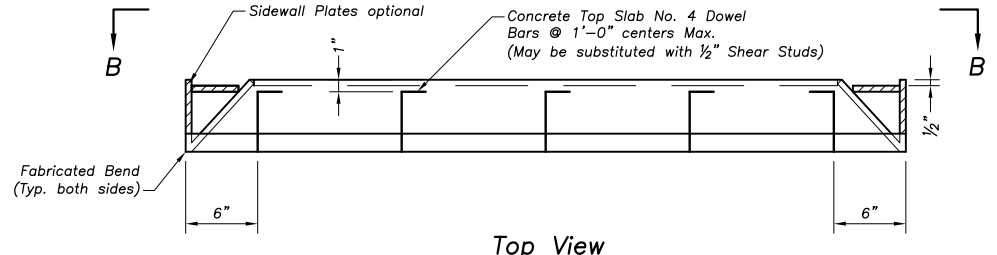
10. Reinforcing steel shall be new billet, minimum Grade 40 as per ASTM A615M, and shall be bent cold.
11. All dimensions relative to reinforcing steel are to centerline of bars. 2" clearance shall be provided throughout unless noted otherwise. Tolerance of +/- 1/8" shall be permitted.
12. All lap splices not shown shall be a minimum of 40 bar diameters in length.
13. All reinforcing steel shall be supported on fabricated steel bar supports @ 3'-0" maximum spacing.
14. All dowels shall be accurately placed and securely tied in place prior to placement of bottom slab concrete. Sticking of dowels into fresh or partially hardened concrete will not be acceptable.

Construction

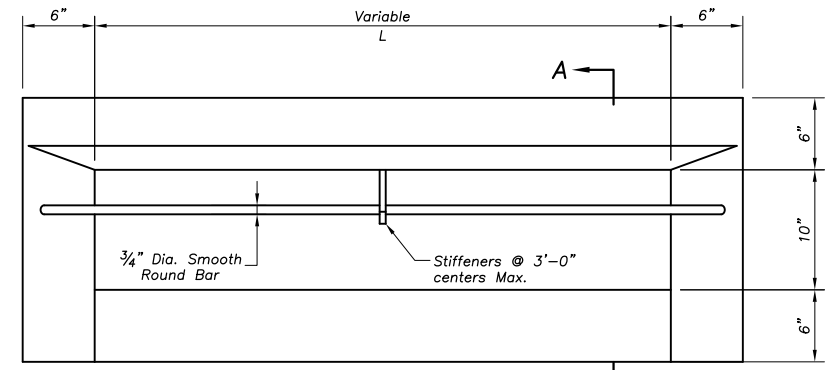
15. The bottom slab shall be at least 24 hours old before placing sidewall concrete. All sidewall forms shall remain in place a minimum of 24 hours after sidewalls are poured before removal, and after removal shall be immediately treated with membrane curing compound.
16. All curb inlet tops are to be constructed after final curb string line has been approved by the Engineer and prior to curb construction, or as directed by the City Engineer.
17. Pipe connections to pre-cast structures shall have a minimum of 6" of concrete around the entire pipe within 2' of the outside wall of structure. A minimum of 2" - maximum of 6" clearance is required between the outside pipe wall and the edge of blackout.
18. Tamped backfill shall be used around structures, except under paved areas. Tamped backfill shall be finely divided job excavated material free from debris, organic material and stones, compacted to 95% maximum density as determined by AASHTO STANDARD, Method T-99. Removable Flowable Fill is required under any portion of paved right of way, including the area within existing or future public street pavement and under existing or future curb and gutter, median, asphalt path, concrete sidewalk.



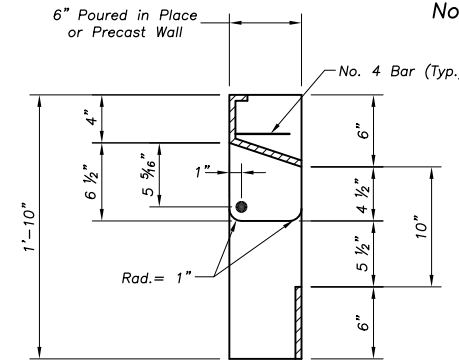
Rear View (Section B-B)
Not to Scale



Top View
Not to Scale



Front View
Not to Scale



Side View (Section A-A)
Not to Scale

Curb Inlet Frame Notes

1. All welds shall be performed in accordance with appropriate AWS Specifications and Procedures.
2. All welds on exposed surfaces shall be dressed so as to provide a pleasing finished appearance.
3. All flat steel shall be 7 Gage or 3/16" thick.
4. The entire frame shall be hot dip zinc coated in accordance with ASTM A-123.

CURB INLET FRAME (10" THROAT)

REVISIONS:	
07/01/03	Concrete Mix Designation;
March '05	Inlet Frame Details;
Jan. 2006	Miscellaneous;
Jan. 2013	Inlet Frame Details;
RELATED ORDINANCES:	
OPMC Title 15	

Year 2018 Edition

OVERLAND PARK
KANSAS
ABOVE AND BEYOND. BY DESIGN.

DEPARTMENT OF PUBLIC WORKS
STANDARD DETAILS

CURB INLET DETAILS

DATE: 09/28/99 SHEET: 22