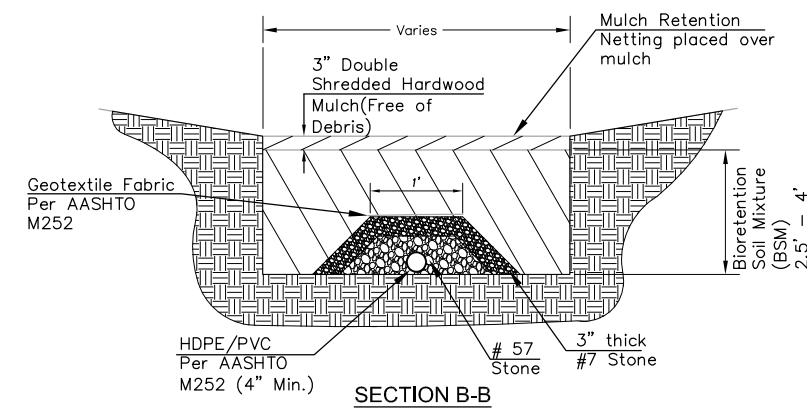
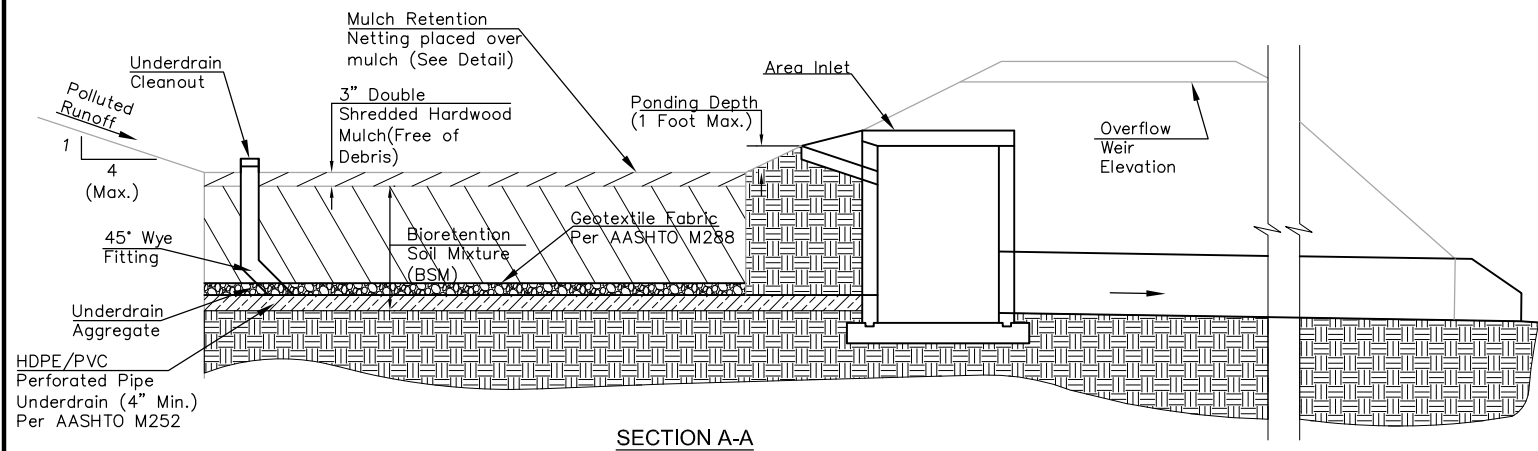


**Notes:**

1. After placing underdrain and before placing Bioretention Soil Mixture (BSM), bottom of facility shall be rototilled to a minimum of 6 inches to alleviate any compaction of the facility bottom.
2. The Bioretention Soil Mixture (BSM) shall be placed in horizontal layers not to exceed 12 inches for the entire area of the Bioretention facility using low-ground contact pressure equipment.
3. The Bioretention Soil Mixture (BSM) shall be saturated over the entire area of the bioretention facility after each lift of the BSM is placed until water flows from the underdrain to lightly consolidate the BSM mixture.
4. Turf shall be placed over approved turf reinforcement mat per AASHTO M 288.
5. The plan and profile details are schematic in nature. Construction plans shall provide specific site grading information.



SIEVE SIZE	PERCENT PASSING	
	AASHTO No. 57	AASHTO No. 7
2-inch	-	-
1.5-inch	100 min.	-
1-inch	95-100	-
0.75-inch	-	100 min.
0.5-inch	25-60	90-100
0.375-inch	-	40-70
No. 4	10 max.	15 max.
No. 8	5 max.	5 max.
No. 16	-	-

"No. 7 & No. 57 aggregate shall be double washed to reduce suspended solids & potential for clogging. The aggregate shall be placed as shown in the Contract Drawing."

**NOTE TO DESIGN PROFESSIONAL:**

This supplemental detail has been prepared by the City of Overland Park Planning Department solely for the convenience of registered design professionals. The City disclaims all warranties and representations of any kind, expressed or implied, with regard to this supplemental detail, including but not limited to, any warranty related to the fitness for a particular purpose.

The design professional assumes all responsibility for verification that this supplemental design detail is suitable for use on any specific construction plan. By incorporation of this supplemental design detail into a construction plan, the design professional certifies that they have determined that this supplemental design detail is suitable for use on their specific construction plan.

DRAWING NAME: O:\development review\details\Supplemental engineering details\Details 2013\Bioretention Cell.dwg  
 WEB SITE ADDRESS: <http://www.opkansas.org/Doing-Business/Construction-Details>

REVISIONS:	
5/20/2011	
12/1/2012	Revised Const. notes
RELATED ORDINANCES:	
OPMC Title 15	

Year 2013 Edition

**OVERLAND PARK**  
KANSAS

ABOVE AND BEYOND. BY DESIGN.

PLANNING DEPARTMENT  
SUPPLEMENTAL DETAILS

BIORETENTION CELL