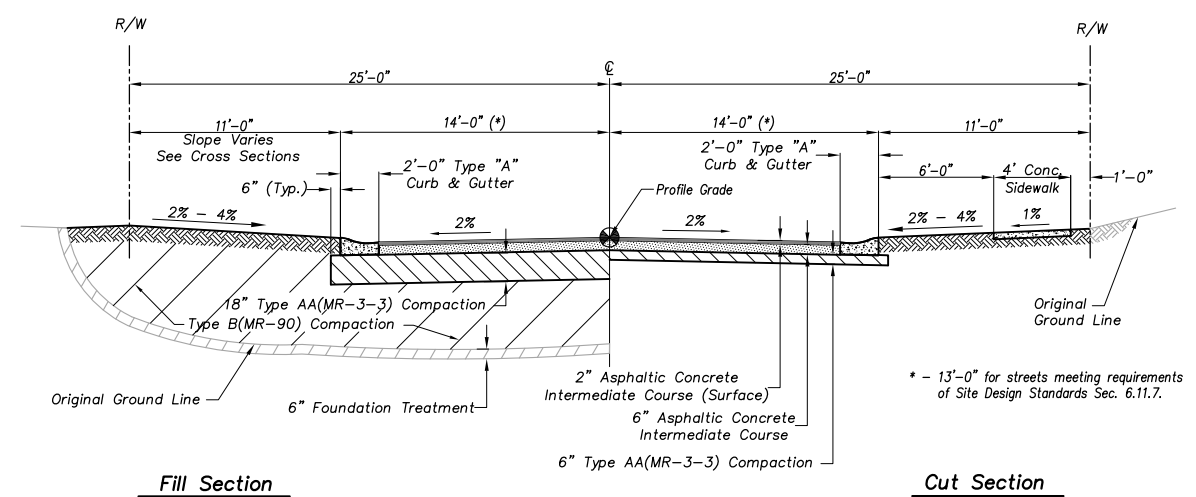


Fill Section Cut Section

Typical Roadway Section – Collector Street

Notes:

1. The Overland Park Municipal Code (OPMC) and Overland Park Design and Construction Standards Manual (OPDCSM) are incorporated, except as otherwise noted.
2. Sidewalk and Earthwork requirements shall be as specified in OPDCSM.

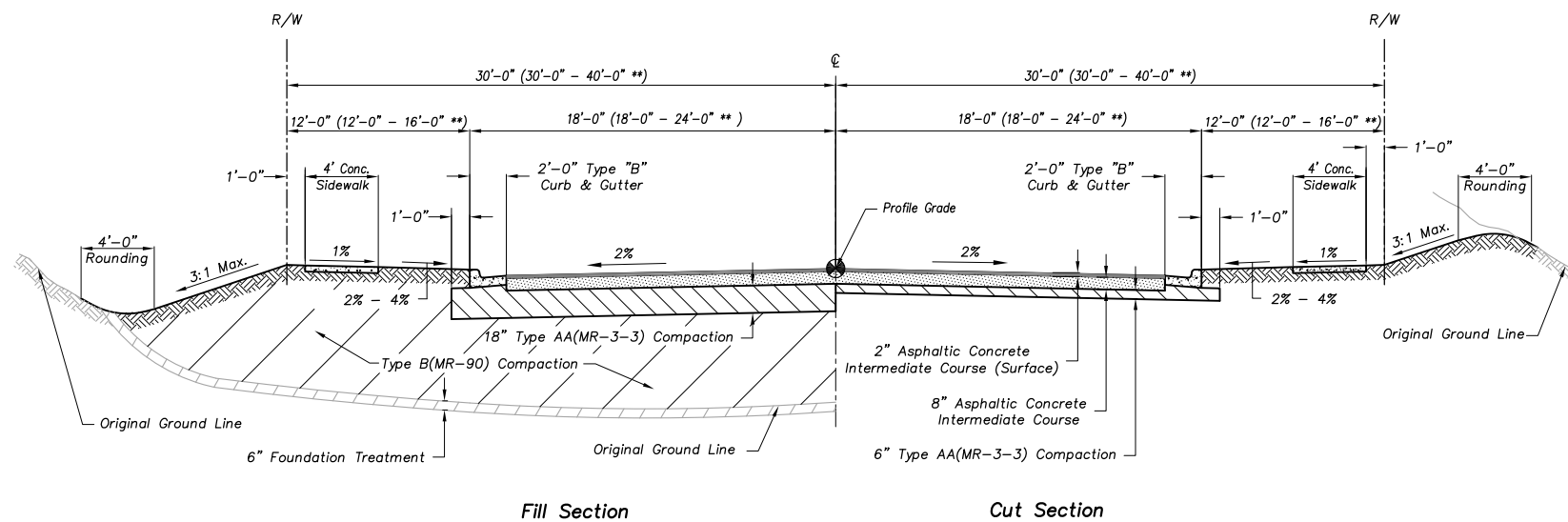
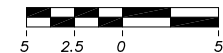


Fill Section Cut Section

Typical Roadway Section – Residential Street

Notes:

1. The Overland Park Municipal Code (OPMC) and Overland Park Design and Construction Standards Manual (OPDCSM) are incorporated, except as otherwise noted.
2. Sidewalk and Earthwork requirements shall be as specified in OPDCSM.

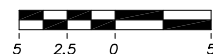


Fill Section Cut Section

Typical Roadway Section – Industrial (Commercial **) or Apartment Street

Notes:

1. The Overland Park Municipal Code (OPMC) and Overland Park Design and Construction Standards Manual (OPDCSM) are incorporated, except as otherwise noted.
2. Sidewalk and Earthwork requirements shall be as specified in OPDCSM.



Year 2018 Edition

REVISIONS:	
05/10/01	Surface Course
07/01/03	Notes
Feb. 2008	OPMC Reference
RELATED ORDINANCES:	
OPMC Title 13	
OPMC Title 18	

OVERLAND PARK
KANSAS
ABOVE AND BEYOND. BY DESIGN.

DEPARTMENT OF PUBLIC WORKS
STANDARD DETAILS

ASPHALT STREET SECTION