

* Contractor shall field verify that Pondered Water Depth will not cause excessive unintended flooding.

Top of silt fence below top of downstream berm to prevent bypass

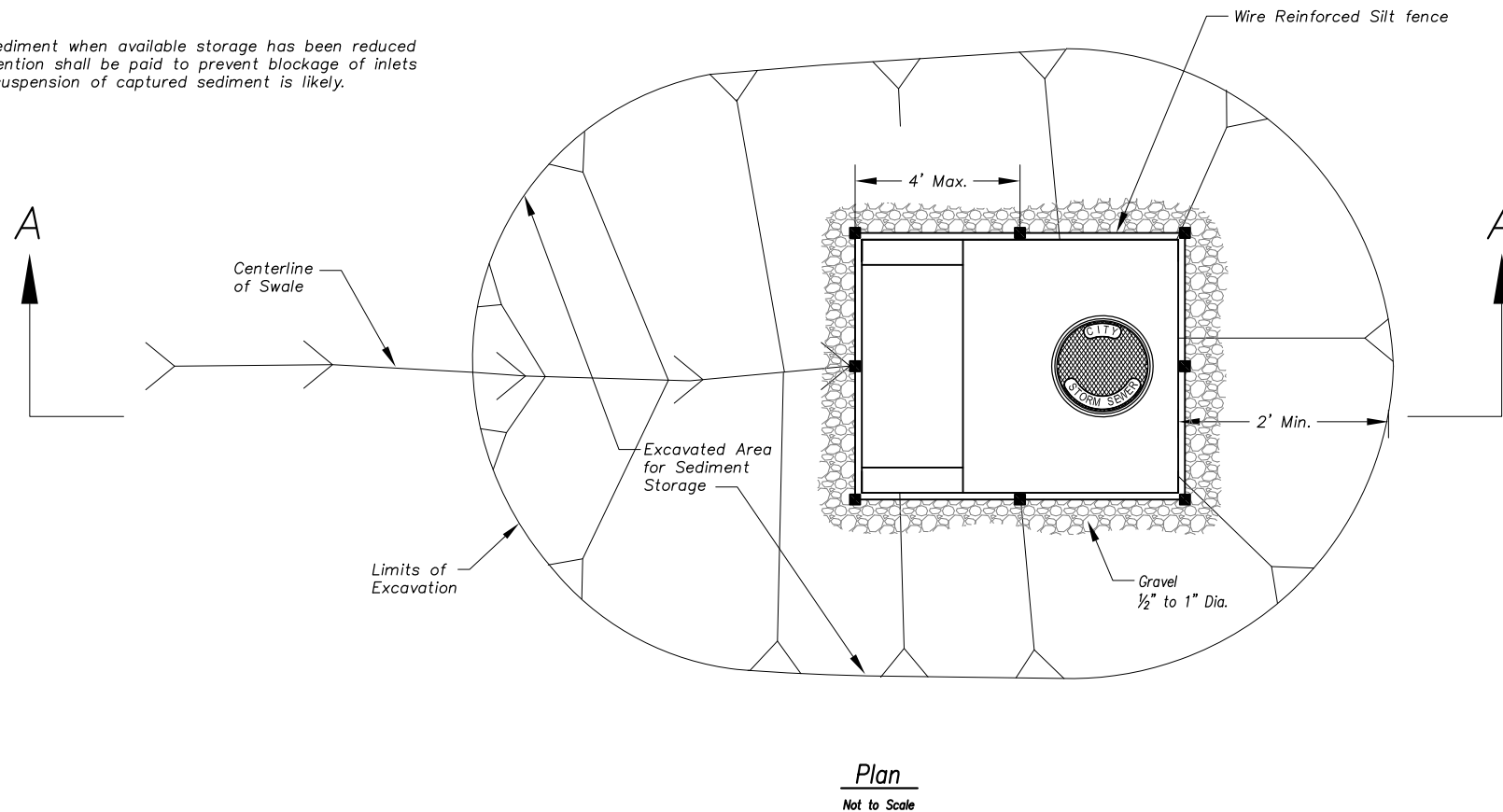
Section A-A
Not to Scale

Area Inlet Protection Notes:

1. Overland Park Municipal Code (OPMC) and Overland Park Design and Construction Standards Manual (OPDCSM) are incorporated, except as otherwise noted.
2. Inlet protection to be installed immediately after inlet is constructed.
3. Remove excavated area ONLY after final grading of the site and temporary erosion control of swale are completed.
4. Wire reinforced silt Fence shall remain in place until final stabilization.
5. Wire reinforced silt fence may be substituted by silt fence wrapped around wood frame.

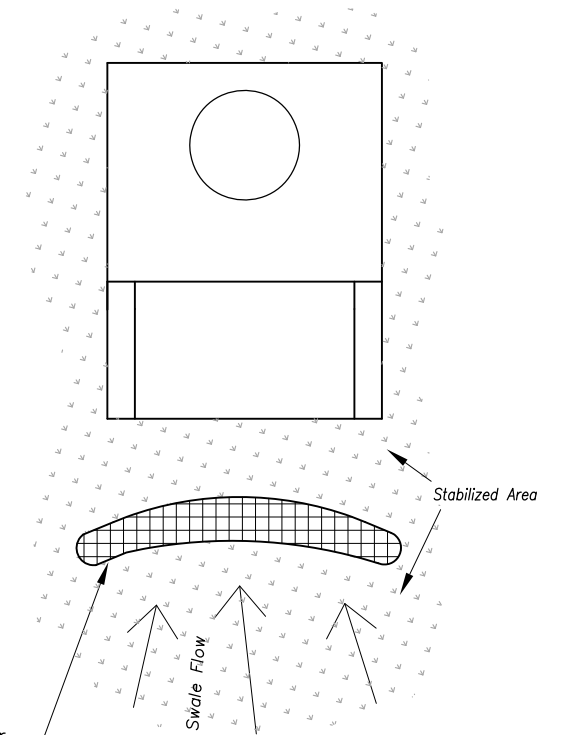
Maintenance:

Clean out deposited sediment when available storage has been reduced by 20%. Particular attention shall be paid to prevent blockage of inlets or in cases when re-suspension of captured sediment is likely.

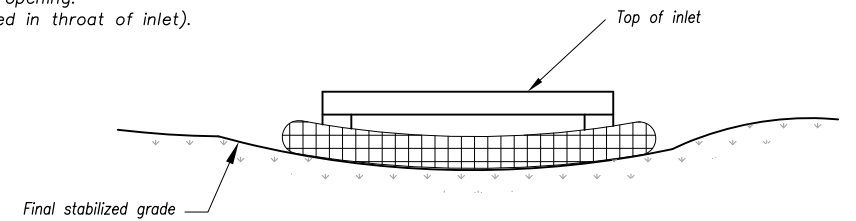


Plan
Not to Scale

SILT FENCE INLET PROTECTION
(2012 Edition)



Place gravel filter bags, straw wattles or other approved sediment control device in front of inlet opening. (Not to be placed in throat of inlet).



Front View

AREA INLET SEDIMENT FILTER
(For Disturbed Areas Upstream of Stabilized Inlet)
(2012 Edition)

Year 2012 Edition

REVISIONS:	
Jan. 2009	Silt Fence Location;
Dec. 2011	Maintenance Statement;
RELATED ORDINANCES:	
OPMC Title 15	



DEPARTMENT OF PUBLIC WORKS
STANDARD DETAILS
AREA INLET PROTECTION